

Surrounding
Equipment
By Emaux



With over 35 years of solid experience and expertise together with our devoted staffs, Emaux has evolved from a Swimming Pool and Spa Equipment manufacturer to a company that is focused in Water Technology. A company that provides solutions to clients in water related issues.

Water for life and leisure

 **Emaux**
water technology

www.emauxgroup.com



NSL SERIES LADDER

Handrails in polished stainless steel 304 or 316 (Φ 42mm) tube. Step available in stainless steel and plastic. Complete with anchoring fixtures or fange fixtures.



Ancillary Shoring for NSL815

Anchor Type Stainless Steel Step

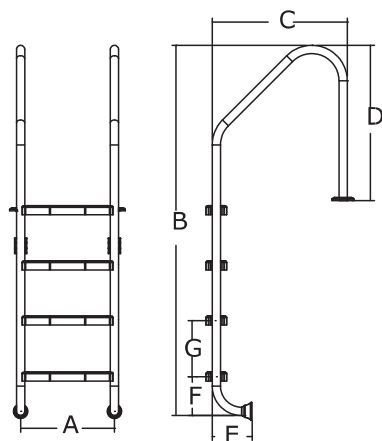
Code (AISI-304)	Code (AISI-316)	Model	A mm	B mm	C mm	D mm	E mm	F mm	G mm
88072601	88072606	NSL215-S	493	1320	686	788	190	200	250
88072602	88072607	NSL315-S	493	1570	686	788	190	200	250
88072603	88072608	NSL415-S	493	1820	686	788	190	200	250
88072604	88072609	NSL515-S	493	2070	686	788	190	200	250
88072613	88072616	NSL815-S	493	2830	692	699	190	200	250

Anchor Type Stainless Steel Step (anti-slippery pad)

Code (AISI-304)	Code (AISI-316)	Model	A mm	B mm	C mm	D mm	E mm	F mm	G mm
88076501	88076506	NSL215-SR	493	1320	686	788	190	200	250
88076502	88076507	NSL315-SR	493	1570	686	788	190	200	250
88076503	88076508	NSL415-SR	493	1820	686	788	190	200	250
88076504	88076509	NSL515-SR	493	2070	686	788	190	200	250
88076513	88076516	NSL815-SR	493	2830	692	699	190	200	250

Anchor Type Plastic Step

Code (AISI-304)	Code (AISI-316)	Model	A mm	B mm	C mm	D mm	E mm	F mm	G mm
88072701	88072706	NSL215-P	476	1320	686	788	190	200	250
88072702	88072707	NSL315-P	476	1570	686	788	190	200	250
88072703	88072708	NSL415-P	476	1820	686	788	190	200	250
88072704	88072709	NSL515-P	476	2070	686	788	190	200	250
88072713	88072716	NSL815-P	476	2830	692	699	190	200	250



Stainless Steel Step



Stainless Steel Step (anti-slippery pad)



Plastic Step



Anchor Type



SFF SERIES LADDER

Handrails in polished stainless steel 304 or 316 (Φ 42mm) tube. Step available in stainless steel and plastic. Complete with anchoring fixtures or flange fixtures.

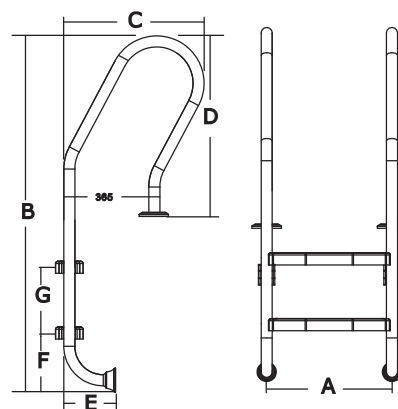
Flange Type Stainless Steel Step

Code (AISI-304)	Code (AISI-316)	Model	A mm	B mm	C mm	D mm	E mm	F mm	G mm
88071801	88071806	SFF215-S	493	1330	533	709	190	200	250
88071802	88071807	SFF315-S	493	1580	533	709	190	200	250
88071803	88071808	SFF415-S	493	1830	709	190	200	250	
88071804	88071809	SFF515-S	493	2080	533	709	190	200	250



Flange Type Stainless Steel Step (anti-slippery pad)

Code (AISI-304)	Code (AISI-316)	Model	A mm	B mm	C mm	D mm	E mm	F mm	G mm
88077401	88077406	SFF215-SR	493	1330	533	709	190	200	250
88077402	88077407	SFF315-SR	493	1580	533	709	190	200	250
88077403	88077408	SFF415-SR	493	1830	533	709	190	200	250
88077404	88077409	SFF515-SR	493	2080	533	709	190	200	250



Flange Type Plastic Step

Code (AISI-304)	Code (AISI-316)	Model	A mm	B mm	C mm	D mm	E mm	F mm	G mm
88071901	88071906	SFF215-P	476	1330	533	709	190	200	250
88071902	88071907	SFF315-P	476	1580	533	709	190	200	250
88071903	88071908	SFF415-P	476	1830	533	709	190	200	250
88071904	88071909	SFF515-P	476	2080	533	709	190	200	250



Stainless Steel Step



Stainless Steel Step (anti-slippery pad)



Plastic Step



Flange Type

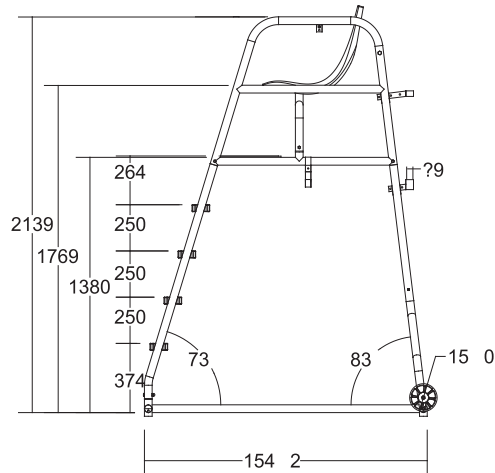
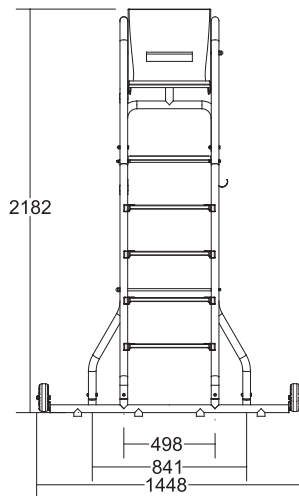


LIFEGUARD CHAIR



SS304 diameter $\Phi 42$ mm steel pipe manufacturing. The detachable chair with fiber glass manufacturing. The lifeguard chair comes with lifebuoy bracket and bell holder, base wheels and stainless steel pedals.

Model	Description	Code
LGC10-S	AISI 304 Stainless Steel Step	88510101



Available from:



www.emauxgroup.com

Waterpark & Aquarium / Competition Pool / Residential Pool / Commercial Pool / Water Treatment / Water Feature